



Action Assist Ltd

Instructions for Use



Viscount 300 Front-Exit bed

(Timotion Motors)

Electrical bed–900x2000mm

MO-L8406-FE-CLA/MO-L8406-FE-HAR/ MO-L8406-FE-MOV/

MO-L8406-FE-EMO

**IMPROVING
NURSING LIFE**



Contents

Introduction

- Typographical format p ° 6
- Foreword p ° 6
- Purpose of beds p ° 6
- Standards and patents p ° 6

Using the Bed

- First use p ° 7
- Connection to mains power p ° 7
- Safety measures before use p ° 8

Overview of the Bed

- Manufacturer's operational labels p ° 9
- Overview p ° 10
- Basic version Front Exit bed p ° 11
- Optional extras p ° 11

Use

- Standard wired remote control p ° 13
 - Control of electrical functions p ° 13
 - Disabling the electrical functions of the standard wired remote control p ° 14
- Satellite control on the EASY TOUCH flexible arm (option) p ° 15
 - Control of electrical functions p ° 16
- Control box for the electrical functions (BV3F) p ° 17
- The FRONT EXIT functions p ° 18
 - Electrical adjustable height function p ° 18
 - Electrical Trendelenburg function p ° 18
 - Electrical back section function p ° 19
 - Emergency release from the back section position – CPR handle p ° 19
 - **Front Exit Functions** p ° 20
 - Electric upper leg section function p ° 21
 - “COMFORT” Memo-control function p ° 22
 - “NURSING” Memo-control function p ° 23
 - “RESET” Memo-control function p ° 23
- Resetting the electrical functions p ° 23
- Moving the bed / Braking
 - YMAGYN model p ° 24
 - YMAGYN «HARMONY » model p ° 24
 - YMAGYN «MOVE » model p ° 24
 - YMAGYN «EASY MOVE » model p ° 25
 - Moving the bed p ° 27
 - Lying surface p ° 28



Options

- Side rails p ° 2 9
 - Side rails ¾(L-813/ L-814) p ° 3 0
- Erecting the headboards and foot boards p ° 3 1
- Under bed night light p ° 3 2
- Battery p ° 3 2

Accessories

- Accessory locations p ° 33
- Brackets p ° 34
- Intravenous drip stands p ° 36
- Hand grips p ° 37
- Urinal pocket holder p ° 38
- Mattress p ° 39

Bio-cleaning

- Cleaning and general disinfecting p ° 4 0
- Procedure of disinfecting p ° 40

Maintenance

- Preventive maintenance p ° 4 2
- Safety guidelines p ° 4 3

Discovering a breakdown / Spare parts

- Discovering a breakdown ° 4 4 o Case n°1 / Case n°2 / Case n°3 p ° 4 4 o After-sales assistance p ° 4 6

Transport / Storage

- Guidelines for transport and storage p ° 4 8
- Guidelines for use when « in situ » p ° 4 9

General precautions for use and safety

- Incorrect uses p ° 4 9
- End-of-life equipment disposal / Recycling p ° 5 0

Specification and warranty

- Specification p ° 5 1
- Technical features p ° 5 1
- Dimensions / the incline angles of moving parts p ° 5 1
- Extent of warranty and after-sales service p ° 5 2



Foreword

You have just purchased an Action Assist bed and we are pleased that you are now one of our valued customers. We also wish to thank you for having the confidence in both our company and products.

Your confidence is reassurance for us that Action Assist continues to respond to your specific requirements and needs. This is why we always strive to innovate by offering you quality solutions and products so as to improve both the comfort and quality of patient care whilst easing the daily work of nursing staff.

Numerous professionals and institutions have been impressed by Action Assist beds, as a result of their functional and aesthetic features, which nowadays have a proven reputation. Simplicity, reliability and safety are the key characteristics of our electric beds for the provision of medical care.

As You have chosen Action Assist; as a company we are committed to providing excellent customer satisfaction.

Nevertheless, the responsibility for the correct use of the beds is down to you. This is why we invite you to familiarise yourself with all technical features, the use and maintenance of the equipment, by reading this manual.

The Action Assist team

Purpose of Beds

The FRONT EXIT medical care bed is solely designed for use within a health institution and Home care environment. All other use requires prior written authorisation by Action Assist. The FRONT EXIT is a bed for both routine and long-term care as provided within medical environments, or when medical monitoring is required and/or supervision is available if necessary and/or other equipment used in procedures of a medical nature may be supplied, so as to either maintain or improve the patient's health condition.

The FRONT EXIT bed is intended for adult care and may be used for the care of a child aged 3 to 12 years or of a height of less than 144cm, by using the so-called “Tall Children” side rails.

Standards and Patents

The FRONT EXIT bed has been validated as a medical system under the meaning the European directive **93/42/CE**.

FRONT EXIT is a **patented** bed.

The side rails B252 and B252GE have been certified by the French **Laboratoire National de Métrologie et d'Essai** (National Laboratory for Metrology and Trials).





Using the Bed

First Use

Before using the bed, it is necessary to understand this manual in its entirety. This manual contains all the recommendations for bed use and maintenance and provides greater safety. This manual should always be available to care staff during the product's lifetime.

Before first use of the bed and after all periods of storage:

- wait for the bed and its related appliances to reach ambient temperature;
- plug the bed into the power source;
- ensure that all electrical functions work correctly;
- ensure that the product is in a good state of hygiene

ATTENTION :

The diversity and typology of materials, equipment and medical systems which may be used in conjunction with this bed means that it is not possible for Action Assist to ensure the safety and conformity of all system and equipment combinations created. It is thus the responsibility Of he user creating such combinations to ensure that safety and compliance requirements Have been met.

Connection to Mains Power

The connection must be to a power installation which conforms to the France's standards NF C 15-100 and NF C 15-211 or can be adapted to the local country standard requirements.

Check that the institution's mains voltage complies with the data indicated on the bed rating plate located on the crosspiece at the head of the bed.

It is advised to plug the bed into a mains power source protected by a residual current circuit breaker of a maximum of 30mA.

It is highly unadvised to use an extension lead and multiple plugs. We also remind you that the use of power strips for connecting the bed to the mains is strictly forbidden.



Safety Measures Before Use

The bed must only be operated by nursing staff who have previously received appropriate training. Only authorized nursing staff should use the bed's adjustment functions. Insofar as the patient himself is able to use the aforesaid bed adjustment functions, the latter should receive training by nursing staff in the use of the bed.

In any case of doubt as to the ability of the patient to use the bed's functions, the electrical functions should be locked.

Before any patient's use of the bed, it is necessary that the user carries out a risk analysis linked to the patients state of dependency upon others, so as to avert potential risks linked to the use of the bed. The following aspects must be taken into account:

- the risks of trapped limbs,
- the possibility of falling off the bed,
- the patient's confused state,
- the patient's having learning disabilities (mental and intellectual deficiencies),
- child patients using the bed,
- patients not having the mental faculties to determine whether actions are posing a risk.



Overview of the Bed

Operational Label



Identification label

Bed identification label

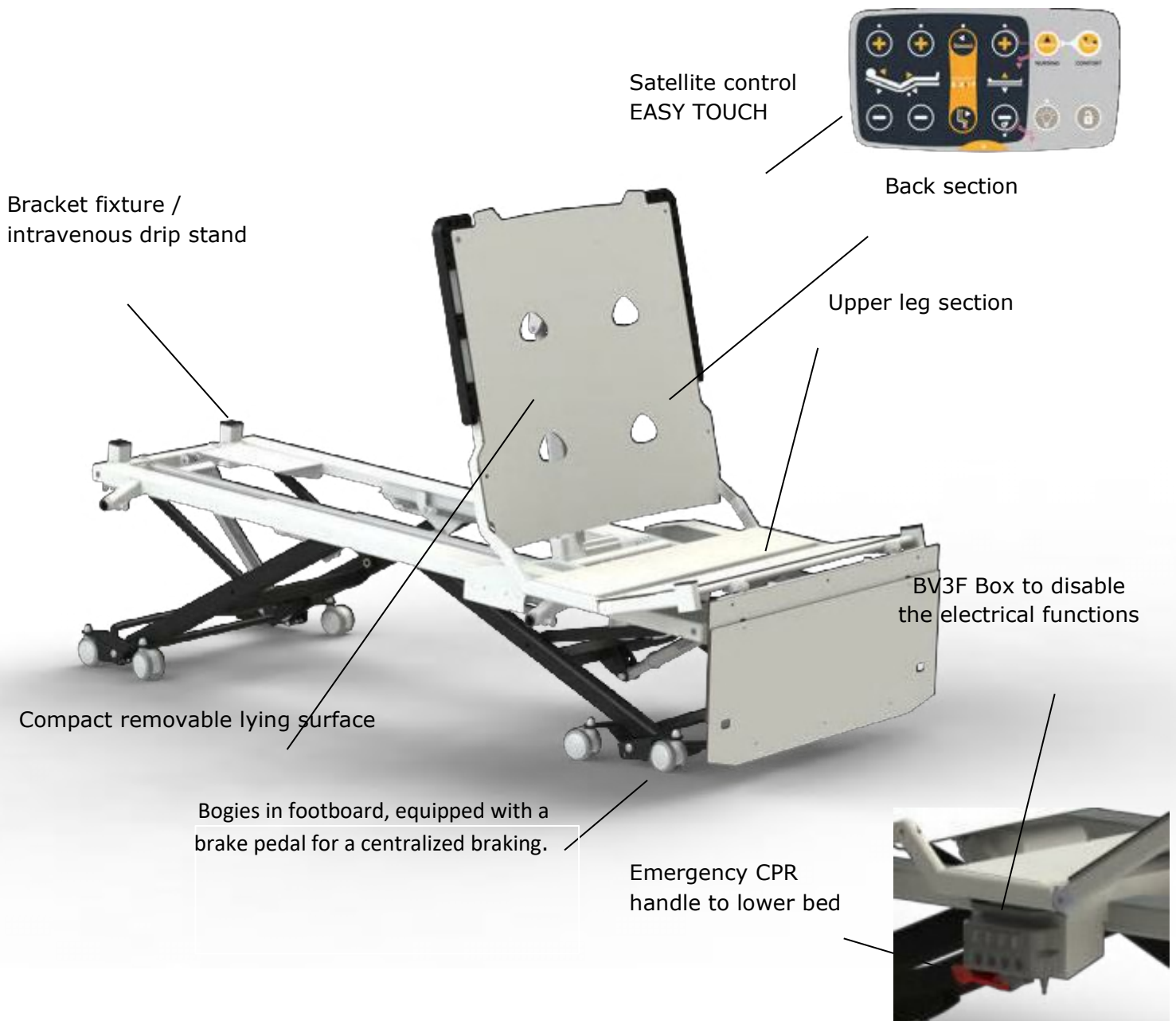
To identify your bed and its serial number please refer to its identification label. The latter is the following model:

HAcare MEDICAL INTERIOR		CORONA MEDICAL	
☎ : +33 (0)2 47 885 875 Fax : +33 (0)2 47 885 811 www.corona-medical.com		Rue de Meslay ZA N°3 La Fosse Neuve 37210 Parçay Meslay, France	
L8456 Modèle		260 kg	
CE		195-225 kg	
160121 Numéro de série		PMI-35003	
Indice de protection Protective index	Tension primaire Primary voltage	230 V ~	
Moteurs Actionnés IP66	Fréquence Frequency	50/60 Hz	
LR (sel) IP44	Courant absorbé assigné Assigned current draw	Max 2,35 A	
Service intermittent Intermittent service	Tension secondaire Secondary voltage	24 V ~	
Facteur de machine 10% max Max factor Utilisation : 2 min sur / 18 min off Use	Intensité de sortie maximum Maximum output	5 A	



Overview

Viscount 300 Front Exit Bed





Basic version Viscount 300 Front-Exit Bed

Mattress dimensions	900 x 2000 mm	•
Bed base	3 parts in compact configuration	•
Electrical functions	Standard remote for: Adjustable height Back section with back translation Leg section Reverse Trendelenburg / Trendelenburg positions « Front-Exit » Position Memo controls "Comfort", "Nursing", ""RESET"	•
Disablement of electrical functions	Disablement via disablement box (BV3F) Disablement via remote locking key	•
CPR	Unilateral Back Section release handle	•
	Low position 22 cm/ High position 81 cm (YMAGYN)	•
2 locations for bracket		•
2 locations for intravenous stand		•

Optional Extras.....

HEAD AND FOOT PANELS

Panels	Wooden panels– ARTEMIS / URBAN / MONTANA / AUBANCE Plastic panels ATHENA PPS for hospital environment	○
¾ side rails - 3-bar	L-813	○
¾ side rails - 4-bar	L-814	○
Full-length side rails TGE	L-830-TGE	○
Pair of hand grips	LX-CALFE / LX-PALFE	○
Lateral cushions for accessory LX-CALFEH	LX-COUSCALFEH	○
OPTIONS		
MOVE	2 castors diameter 100 mm at the head, 2 chassis swivel castors at the foot	○
EASY MOVE	4 chassis swivel castors at the head and 4 swivel castors at the foot	○
HARMONY	4 feet	○



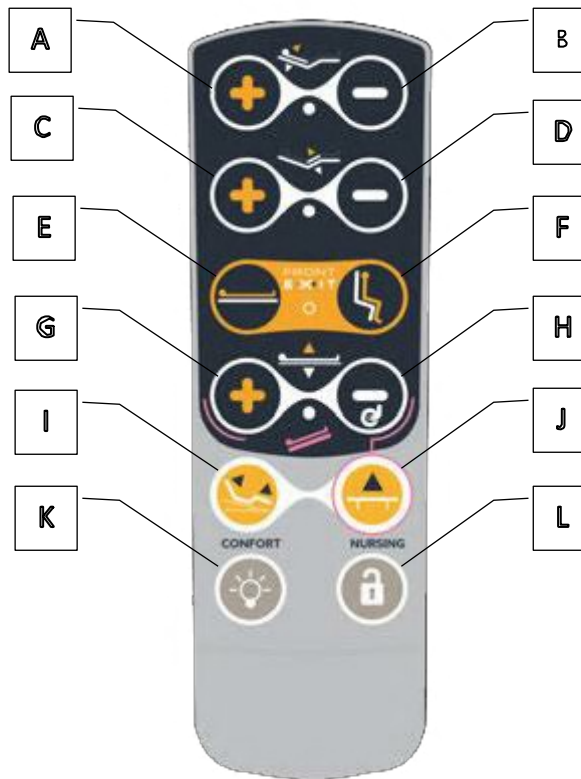
Stoppers for wall protection	L-860-NPMH	○
Bed base extension	LX-ME-4	○
Night light	L-550-UBLH	○
Battery	Battery of autonomy	○
EASY TOUCH	Electric control satellite on flexible arm	○
ACCESSORIES		
Fixture + handle with manually adjustable strap	LX-P1010	○
Intravenous serum pole 2 hooks	LX-TPS-2C	○
Intravenous serum pole 4 hooks	LX-TPSR	○
Telescopic intravenous serum	LX-TPSRB	○
Rail for accessories	L-860-RAILCAH	○
Urine bag holder	LX-SPU1H	○
Wall basin support	LX-SBM2-U	○
Jar holder	LX-SB2H	○
2-glass Redon holder	LX-SR2H	○
Urinal holder	LX-ASUH	○
3/4 side rail protection	LX-LEVO07-2440P	○
		○



Use Of The Standard Wired Remote Controls

Control of electrical functions

The VISCOUNT 300 FRONT EXIT bed is equipped with a series of standard wired remote controls. The latter make it possible for the nurse to control all the bed's electrical functions. When not in use it may be placed on the bars of the lateral security side rails. This wired control may be used by the nurse all around the bed and may be placed on the left or right side rails of the bed.



A Increase Back Section	G Increase Variable Height
B Decrease Back Section	H Decrease Variable Height
C Increase Upper Leg Section	I "Comfort" Position
D Decrease Upper Leg Section	J "Nursing" Position
E Lying position Front-Exit	K Under Bed Night Light (UBNL)
F SeatingPosition upright Front-Exit	L Mode to lock functions
J+G Reverse-Trendelenburg position	J+H Trendelenburg position

ATTENTION :

The nursing staff should check whether the patient may be left unsupervised with the standard wired remote control available to them. Non-compliance with this recommendation may lead both to bodily injury and damage to equipment.

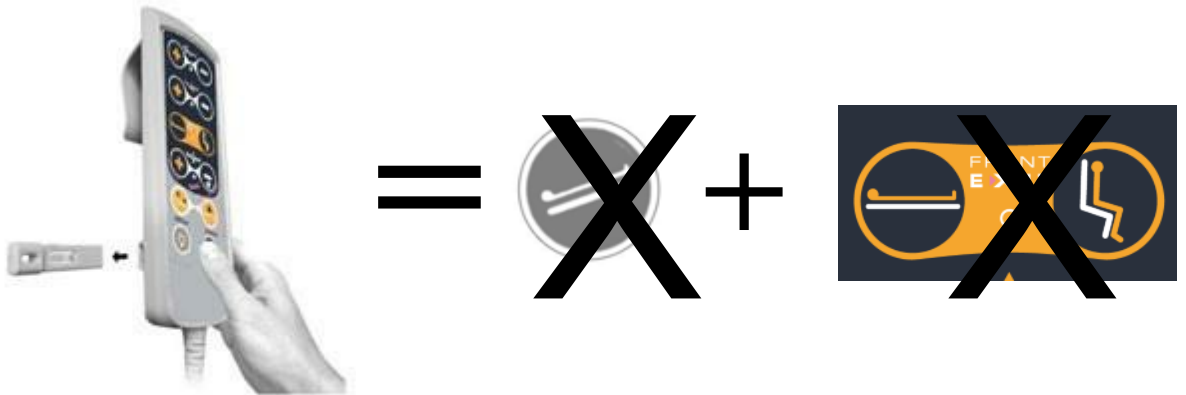
This standard wired remote which is solely intended for the nurse may thus be locked using the key to lock the electric functions and may be disconnected from the bed for greater security.



Disabling the Electric Functions of the Wired Standard Remote

Solely Disabling/enabling the Trendelenburg position:

1. Remove the remote locking key from the remote to disable the Reverse Trendelenburg position
2. Insert the remote locking key in the remote to enable the Reverse-Trendelenburg position



Remove the key = Trendelenburg function locked + « Front-Exit » function locked

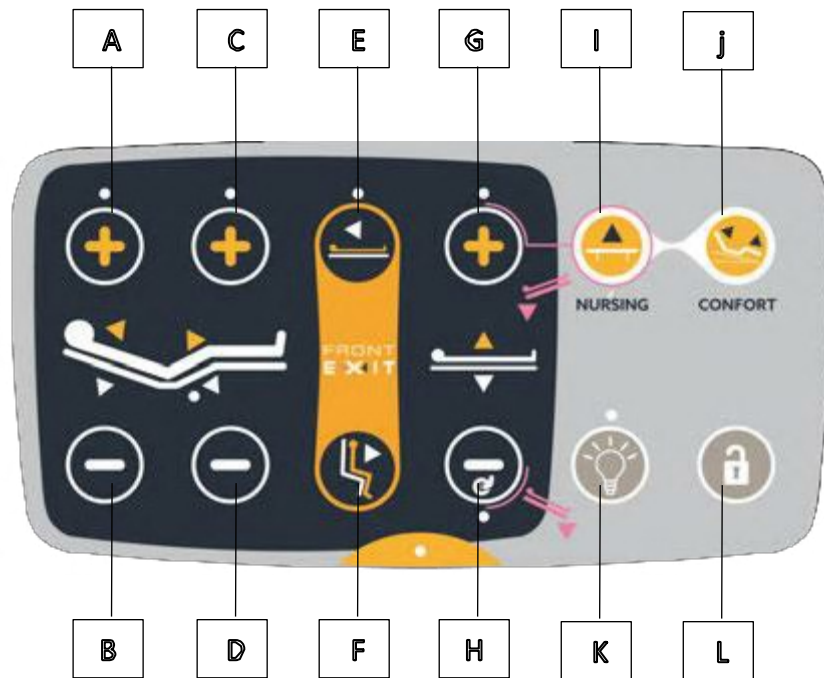
Disable/Enable all the functions of the standard wired remote:

1. Hold down the "Lock" button and remove the locking key from the remote.
2. The indicator light on the standard wired remote goes red and indicates that all the functions are disabled.
3. Insert the locking key in the remote control and then press "Lock" button and the disabled functions to enable the latter.



Satellite Control EASY TOUCH (Option)

The FRONT EXIT bed may be equipped with a satellite control on an EASY TOUCH flexible arm. The latter makes it possible for the nurse and patient to control all the functions of the electric bed. Its position is set on the right or left of the back section (its location being defined at the time the bed is purchased). This satellite control needs to be easily accessed by the patient.



A Increase Back Section	G Increase Variable Height
B Decrease Back Section	H Decrease Variable Height
C Increase Upper Leg Section	I "Comfort" Position
D Decrease Upper Leg Section	J "Nursing" Position
E Lying position Front-Exit	K Under Bed Night Light (UBNL)
F Position upright Front-Exit	L Mode to lock functions
J+G Reverse-Trendelenburg position	J+H Trendelenburg position

The nursing staff must check if the patient may be left unsupervised with the satellite control EASY TOUCH available. Non-compliance with this recommendation may lead both to bodily injury and damage to equipment.

The electrical functions available on the EASY TOUCH satellite control may thus be locked individually owing to the locking button for the functions. The locking key for electrical functions of the standard wired remote control may also be used to lock all the EASY TOUCH satellite control functions.

ATTENTION :

The mounting and detachment of the accessory should be completed by an accredited technician. Non-compliance with these recommendations may lead both to bodily injury and damage to equipment



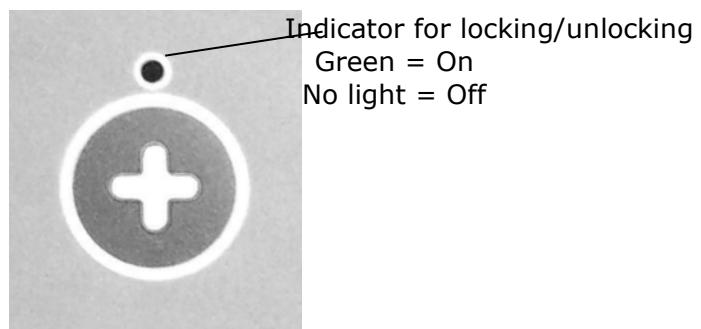
Disabling the Electrical Functions of the EASY TOUCH Control Satellite

Disable/enable INDIVIDUALLY the electrical functions of the EASY TOUCH control satellite

1. Disable an electrical function by pressing the "Lock" button and the button linked with the function being disabled simultaneously.
2. The indicator light for the function concerned on the control satellite goes red and indicates that the function is disabled.
3. Enable an electrical function by pressing simultaneously again both the "Lock" and the button linked to the function being enabled.
4. The indicator light for the function concerned on the EASY TOUCH control satellite goes green and indicates that the function is enabled.



Pressing the "Lock" button + the Button required to be locked = the Individual locking of a function

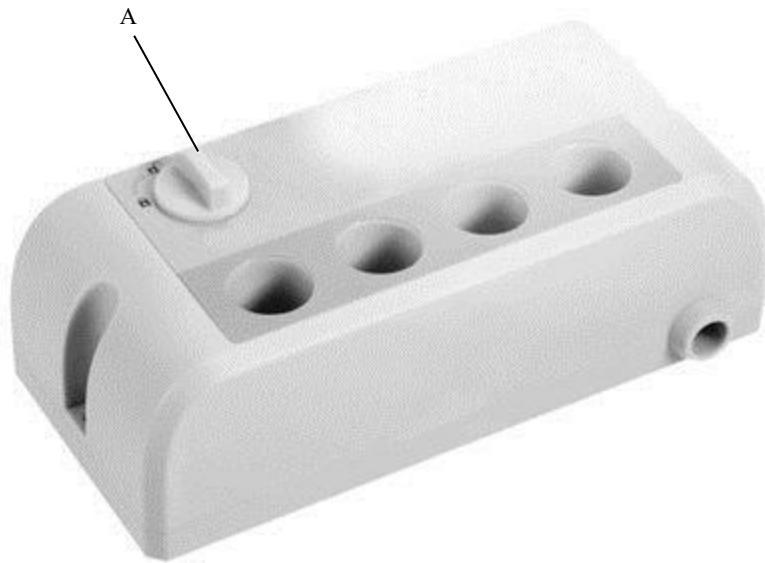


Indicator for locking/unlocking
Green = On
No light = Off



Box to Disable Electrical Functions BV3F (Option)

The box to disable electrical functions makes it possible to lock/unlock individually the bed's electrical functions.



A Lock/Unlock all the bed functions

Unlocked position		
Locked position		
		Locked/Unlocked indicator light



The bed functions

ATTENTION :

Before using the bed's electrical functions, please ensure that nothing (objects, accessories, cables, tubes) or individuals (those who are not required to be present or children) are under the mattress area. Please ensure that the patient does not have any limbs outside of the limits of the mattress area. Ensure that the bed is moved away from the walls so as not to cause a collision. Non-compliance with these recommendations may lead both to bodily injury and damage to equipment.

Electrical Variable Height function

To vary the height of the mattress area :

1. Press the button + for the Variable Height symbol so as raise the height/press the - button to lower it.
2. Release the button when the desired height is reached.
3. Automatic stops:
 - « Upright » position
 - Safety position
 - Ultra low Position (pressing again on the remote control for 2s)



Electrical Trendelenburg Function

Varying the incline of the mattress area may be carried out using the standard wired remote control or the satellite control on the EASY TOUCH flexible arm. The Trendelenburg function is a comfort function. The Trendelenburg position allows for the blood flow to return to the upper limbs of the body. It configures the head of the bed at a lower level than the foot of bed. The Trendelenburg function should only be used by nursing staff. The maximum range of movement is available for this whatever the height of the mattress area. **It is highly recommended not to leave the patient unsupervised in the Trendelenburg position.**

To incline the mattress area in the Trendelenburg position :

1. Press the "Trendelenburg position" The inclination of the bed is carried out whilst maintaining the established position of the bed base.
2. Release the button when the desired inclination has been reached.
3. Press the "Nursing" button to return the mattress area to the totally flat position.

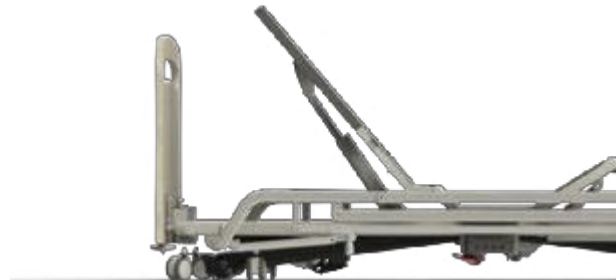




Electric Back Section Function

To vary the inclination of the back section:

1. Press the button Back Section corresponding to the desired movement: + to raise / - to lower.
2. Release the button when the desired incline is reached.



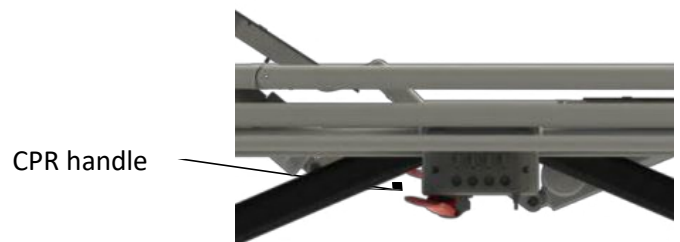
Emergency release from the back section position - CPR handle

The emergency release of back section position happens by operating the release of the electric motor cylinder of the back section. This emergency release to the flat position may be activated, even in the absence of an electrical supply and is possible whatever the position of the back section.

A unilateral CPR handle (on both sides as an option) located at the centre of the chassis at the top of the bed makes the operation of the release mechanism possible.

In order to release the back section to the flat position:

1. Hold the back section in one hand and pull on the CPR handle with the other hand.
2. Support the lowering of the back section whilst continuing to pull on the CPR handle.
3. Release the CPR handle when the back section is flat.



NOTE :

After any emergency release of the back section, it is necessary to attend to reset the electrical functions to reconfigure the bed for normal use. In order to do so, press for three seconds on the back section button.

ATTENTION :

Before using this function, please ensure that nothing hinders the movement and the release of the back section to the flat position. Please ensure that the patient does not have any limbs outside of the limits of the mattress area. Non-compliance with these recommendations may lead both to bodily injury and damage to equipment. The use of the release to the flat position is solely reserved for qualified nursing staff.



Front Exit function

To enable the « Front Exit » function:

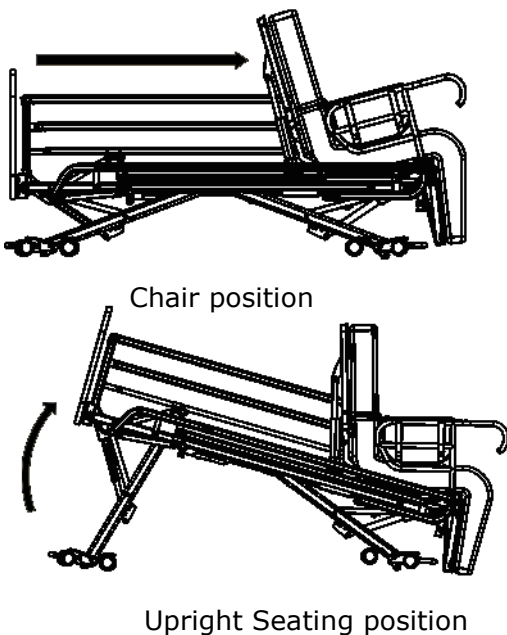
The "Front Exit" function is available only if the locking key is inserted in the remote control.

Key removed : « Front Exit » function is locked

1. Press the button corresponding to the chair position.
 - The bed is at the right height to sit
 - The back section and the upper leg section raise
 - The lying surface moves forward and the leg section tilts
 - The bed is inclined forward to ease getting out of the bed



2. To come back to the lying position, press the button "lying position"
 - The lying surface comes back at the head of the bed



Attention :

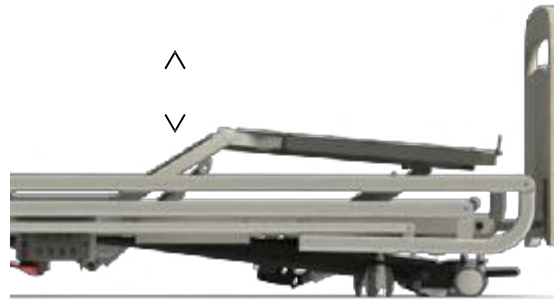
The foot panel must be removed before using the « Front Exit » function



Electric Upper Leg Section Function

To vary the incline of the upper leg section:

1. Press the button with the Upper Leg Section symbol + to raise / - to lower.
2. Relax the button when the desired height has been reached.



NOTE :

When the upper leg section is increased, the tibia section remains inclined in relation to the mattress area.



“Comfort” Memo-Control Function

The “Comfort” position is specifically designed to both reduce and better distribute the patient's pressure points. It is also an armchair position which is ideal for allowing the patient to stand up and allows certain activities such as eating and watching the television.

Place the bed in the “Comfort” position:

1. Press button with the “Comfort” symbol until the lying area stops moving.
2. Release the button when the desired “Comfort” position is reached.
3. The release of the lying area to the flat position is done by pressing the “Nursing” button



NOTE :

Placing the bed in the “Comfort” position is possible whatever the height of the mattress area. When the bed is in the “Comfort” position, all electrical functions are enabled.

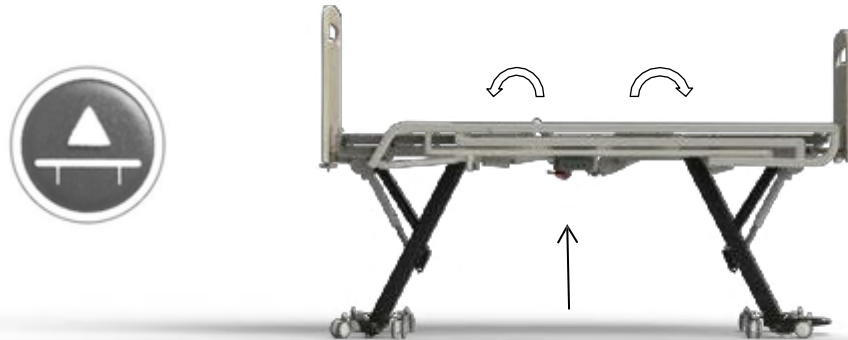


“Nursing” Memo-Control Function

The “Nursing” position is specifically designed to administer care.

Place the bed in the “Nursing” position:

1. Press button with the “Comfort” symbol until the release of the lying area is totally released.
2. Keep the button pressed in order to vary the height of the mattress area.
3. Release the button when the desired “Nursing” position is reached



NOTE :

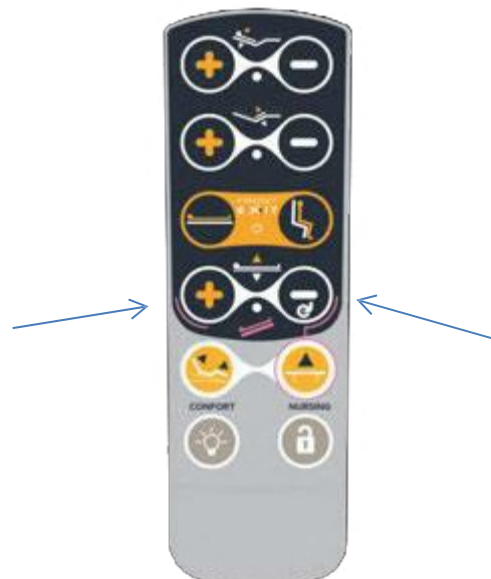
Placing the bed in the “Nursing” position is possible whatever the height of the mattress area. When the bed is in the “Nursing” position, all electrical functions are enabled.

Resetting the Electrical Functions

Following the use of the release to the flat CPR position, power cut, a loss of battery charge, or a change of a given electrical component reset the electrical functions. The bed operates with stored positions. The so-called “Intelligent” remote control thus needs to be reset so as to be programmed and operate correctly.

Reset the Bed:

1. Press simultaneously the “+” and “-” of the variable height function until the highest position. Maintain pressed until hearing 3 clicks from the power supply unit confirming the resetting.

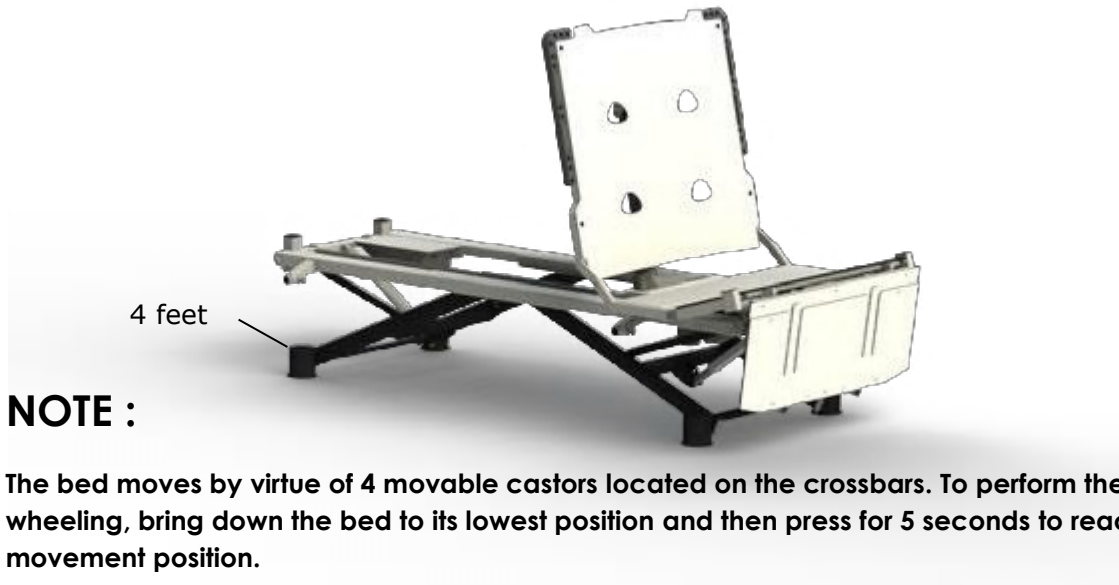




Moving the Bed/Braking

VISCOUNT 300 « HARMONY » model

The Viscount « HARMONY » is equipped with four cylindrical feet which act as points of contact. The two at the head of the bed are equipped with small integrated castors. The lower position is limited to 30 cm (option HV30). In this configuration the bed is **fixed**.



VISCOUNT 300 « MOVE » model

The Viscount « MOVE » is equipped with two 100 mm diameter castors at the head of the bed and two twin bogies at the foot of the bed which provide contact points with the ground. With this configuration, the bed is able to move.





Moving the bed:

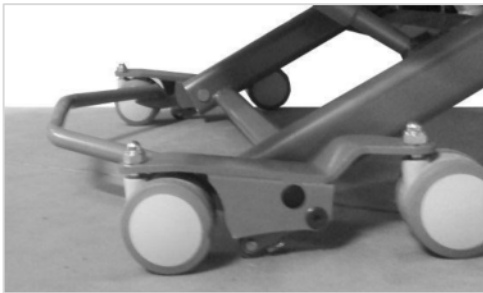
The 100 mm castors at the head of the bed are directional so as to facilitate straight line movements. The pair of twin bogies at the foot of the bed is multi-directional.

Braking:

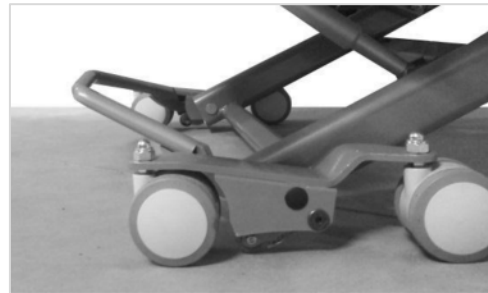
The pair of twin under carriage swivel bogies at the foot of the bed is equipped with a brake pedal for centralised braking.

Applying/releasing the brake

1. Press on the brake bar with the foot to stop the bed.
2. Apply back and forth movements on the bed to ensure that it is stationary.
3. Lift the brake bar with the top of the foot to release the brake.



If the bar is in the lower position = Brake on



If the bar is in the upper position = Brake off

ATTENTION :

Except for when the bed is being moved, always ensure that the brake is on when the bed is occupied. Non-compliance with these recommendations may lead both to bodily injury and damage to equipment.

VISCOUNT 300 « EASY MOVE » model

Viscount model option « EASY MOVE » is equipped with two twin bogies at the head of the bed and two twin bogies at the foot of the bed which provide contact points with the ground. With this configuration, the bed is **easily movable**.



**Moving the bed:**

With the four bogies moving freely, the bed is multi directional. The pair of bogies at the head of the bed may become directional so as to facilitate movements in a straight line.

Operational of the directional configuration:

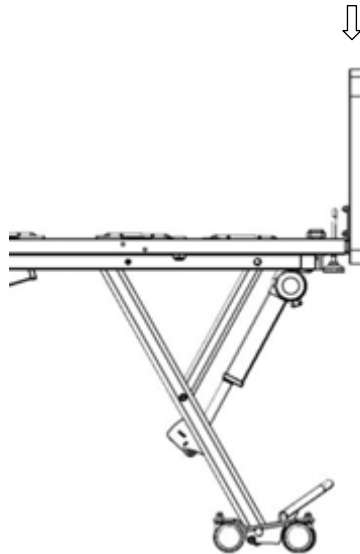
1. By pressing the central bar of the pair of bogies at the head of the bed, using his foot for assistance, the user is thus able to configure the bogies at the head of the bed in the directional mode. The bogies lock in the direction of the length of the bed.
2. Raise the central bar with the top of the foot to release the bogies.



Movement of the Bed

To move the bed:

1. Hold the foot board with both hands.
2. Lift the brake bar to release the brakes at the foot of the bed.
3. Move the bed using the foot board to steer it.



ATTENTION :

Before any movement of the bed:

- Check that the floor surface is suitable for moving the bed, so as to avoid damaging it. Do not move the bed outside of the building.
- Check that both the electrical supply and remote control wires are not in contact with the ground and the castors, so as to avoid all risk of severing or damage of such wires.
- Ensure that the lateral safety side rails are both lifted and locked if a patient is occupying the bed, so as to restrict the risks of falls.
- Position the bed at an adequate height so as to facilitate its movement
- Unplug the power cord as well as electrical accessories and fasten them to the bed.
- Ensure that no accessory hinders movement of the bed.
- Put the patient in a comfortable secure position Do not move the bed either in the “comfort” position or with the back section raised too high.

Non-compliance with these recommendations may lead both to bodily injury and damage to equipment.

ATTENTION:

Do not pull on the power cord to move the bed. This may lead to damage to the equipment. A damaged electrical cord may lead to electric shocks.



Lying Surface

The lying surface is made up of 3 movable sections with 3 removable compact plates. One for each section.

Two sections are removable: the back and leg sections so as to facilitate bio-cleaning. Remove the removable sections by pressing the corner of each section.



ATTENTION :

Ensure that all sections of the lying surface are both correctly positioned and secured after all reassembly. Non-compliance with these recommendations may lead both to bodily injury and damage to equipment.



Options

Side rails

The VISCOUNT bed may be equipped with four models of side rails :

- $\frac{3}{4}$ Side rails 3 bars
- $\frac{3}{4}$ Side rails Tall Children 4 bars
- $\frac{1}{2}$ Side rails 3 bars

NOTE :

Lateral side rails are safety systems designed to prevent falls, serving to support and help with patient positioning in the bed. They are not intended to ensure to keep the patient in the bed. In this sense Action Assist recommends that nursing staff establish suitable means to ensure That the patient may stay in the bed whilst not being constantly monitored and remain risk-free in the bed.

ATTENTION :

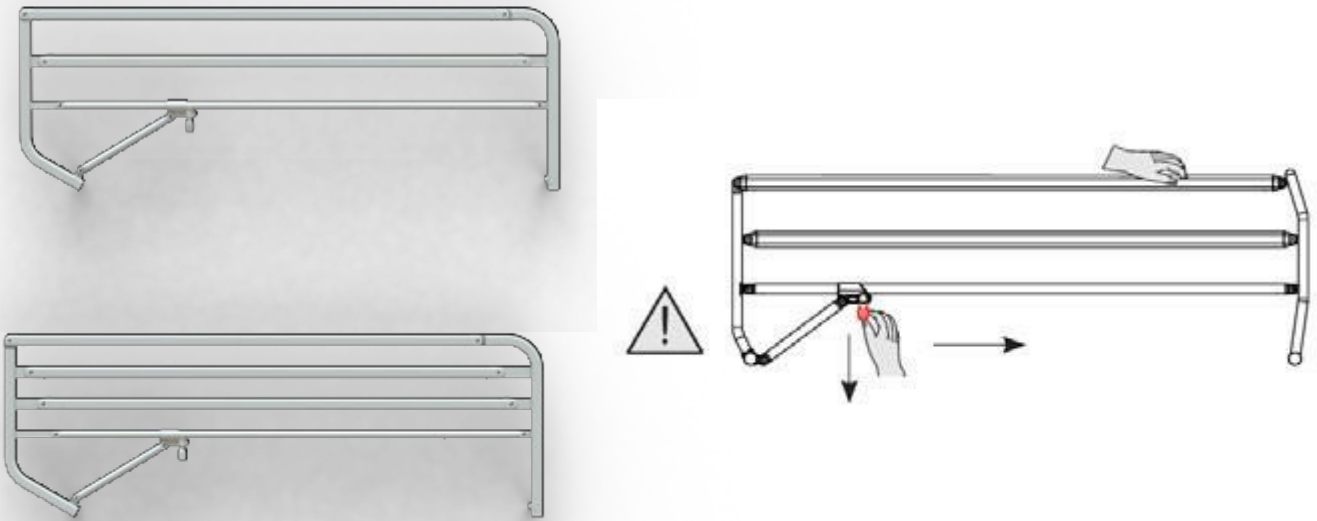
The side rails are not intended to either prevent the patient from moving or be subject to restraint.

Before either raising or lowering a side rail, ensure that nothing (objects, accessories, cables or tubes) is hindering movement. Ensure that the patient has no limbs outside of the mattress area. Non-compliance with these recommendations may lead both to bodily injury and damage to equipment.



¾ Side Rails (B813 / B814)

The ¾ side rails are fixed to the upper chassis of the bed and may be **dismantled without tools**. They are equipped for safety purposes with an unlocking system. Two positions are possible: a lower position and an upper position. A click confirms that they are locked correctly.



To raise a ¾ side rail:

1. Take hold of the top bar of the side rail and pull with a rotating movement until the side rail locks.
2. Check that the side rails are correctly locked by pushing and pulling them.

The side rail lock is at the head of the bed on the lower bar. A “click” indicates that the side rail is correctly locked.

The side rails are only compatible with Action Assist beds.

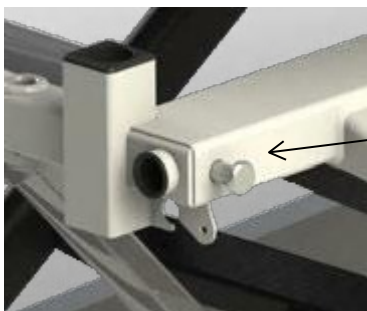
To unlock the side rail, pull the safety catch to unlock it and start to lower it.



Head and Foot Boards

Inserting/removing a wooden boards:

1. Unscrew the two flywheel clamps (two per panel).
2. Hold the headboard in both hands by the lateral edges.
3. Insert horizontally the two headboard legs into the rails intended for this purpose.



Flywheel clamps placed at the 4 angles of the bed



Plastic panel with vertical fitting



Lift the panel vertically



Under Bed Night Light (UBNL)

The Under Bed Night Light (UBNL) makes it possible to light up the floor under and around the bed, to reassure the patient/resident and provides security for their movements throughout the night. The UBNL may be turned on and off using the bed's standard wired remote control or the EASY TOUCH satellite.

Turning the UBNL on and off with the wired standard remote:

1. Press the UBNL symbol on the wired standard remote to turn on the night light.
2. Press the UBNL symbol two further times so as to vary the lighting intensity.
3. Press the UBNL symbol for a third time to turn off the night light.

Turning the Under Bed Night Light (UBNL) on and off using the EASY TOUCH:

1. Press simultaneously the + and - buttons of the back section to turn on the light. The blue LED turns on.
2. Press the + and - buttons two further times simultaneously to vary the lighting intensity.
3. Press the + and - buttons to turn off the night light.



Battery.....

The battery is an accessory which is supplied with and mounted on the bed.



ATTENTION :

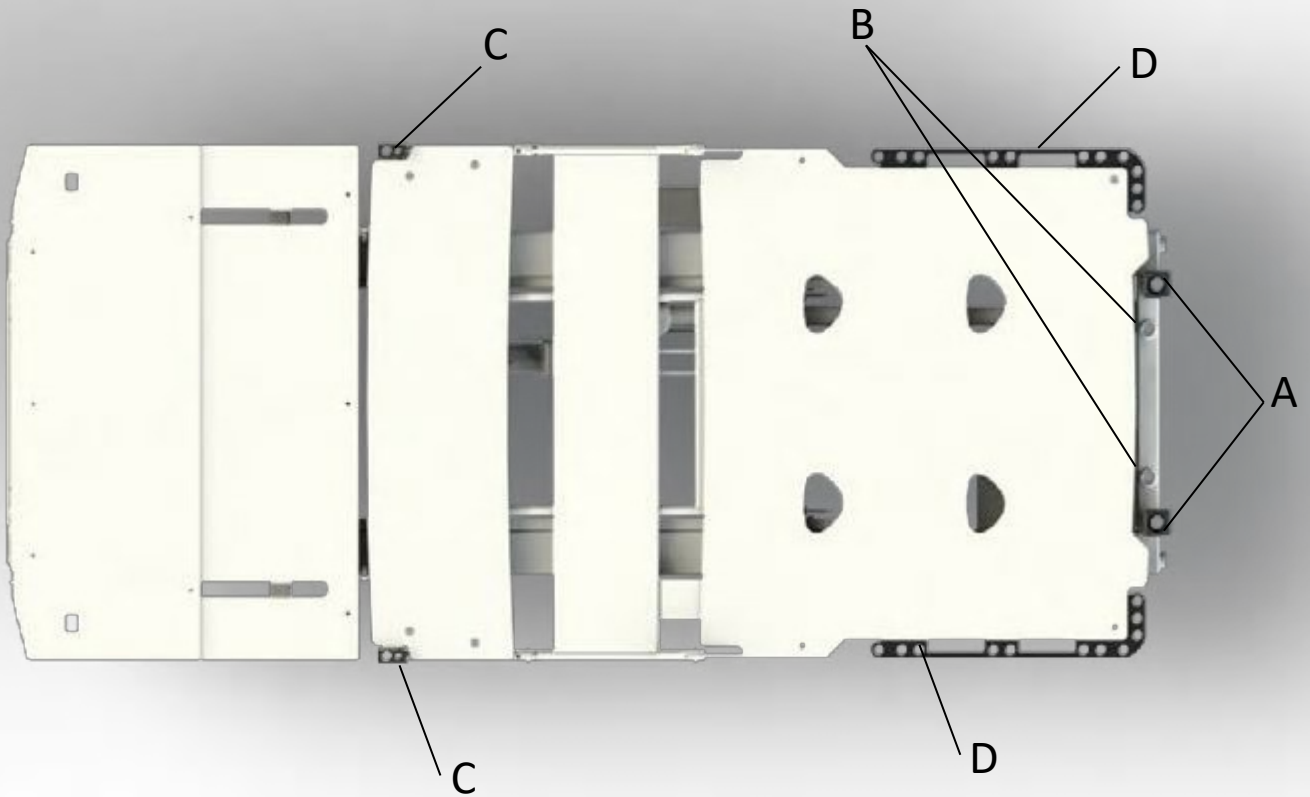
The mounting/removal of the accessory should be undertaken by accredited technician. Non-compliance with these recommendations may lead both to bodily injury and damage to equipment.



Accessories

Accessory Locations

The VISCOUNT FE bed has specific locations to install brackets, intravenous drip stands and small accessories on the bed.



A : Spaces for bracket

B : Spaces for IV pole

C : Holder for foot accessories (CALFEH)

D : Holder for head accessories (ASLH)



Brackets:

Brackets

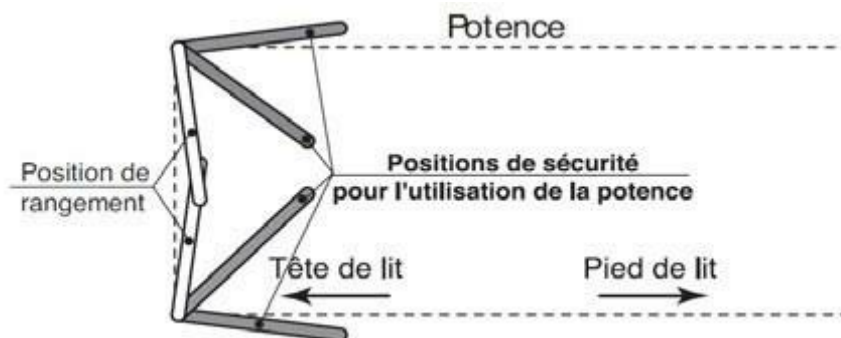
Brackets are accessories which allow for support and recovery of the bedridden individual. These are accessories which can be solely placed at the head of the bed to remain within reach of the patient/resident.

Brackets may equally well be placed on the right as the left of the head of the bed.

Safe working load: **75 kg**

Putting up a bracket:

1. Insert the foot of the bracket in the location intended for this purpose.
2. Ensure that the bracket handle is positioned above the bed.



Rotary brackets are used for these models. They may also be positioned for common uses or to assist with transfers to and from the bed. When in position to assist with transfers, the bracket allows the patient or resident not to have to take his own weight, so as to facilitate transfer tasks for nursing staff.

ATTENTION :

This accessory is solely placed above the bed. Ensure that the bracket is correctly positioned towards the inside of the bed. Non-compliance with these recommendations may lead both to bodily injury and damage to equipment (discomfort, damage to objects and the space around the bed).

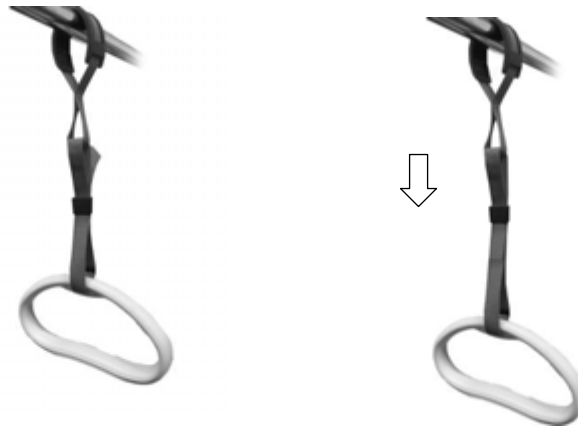


Bracket Handles

Brackets are fitted with a handle having a variable height which can be adapted to the shape or the patient/resident.

Adjusting a manually adjustable bracket handle:

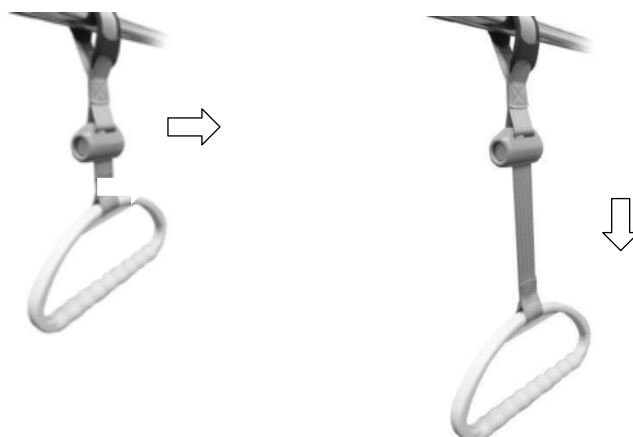
1. Take hold of the handle strap.
2. Release the handle strap.
3. Adjust the height of the handle and then tighten up the strap.



When the patient/resident is not using the bracket handle, it is preferable to wind it up again to avoid any discomfort.

Adjusting a bracket handle with an automatic winding strap:

4. Take hold of the box containing the winding handle.
5. Press the red unlocking button located on the side of the box.
6. Adjust the height of the handle and then release the unlocking button.



When the patient/resident is not using the bracket handle, it is preferable to wind it up again to avoid any discomfort.



Intravenous Drip Stands

Intravenous Drip Stand

Operative weight: **2 kg per hook**

To put up a drip stand:

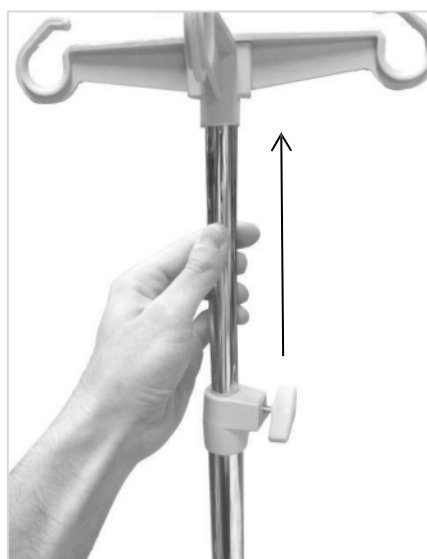
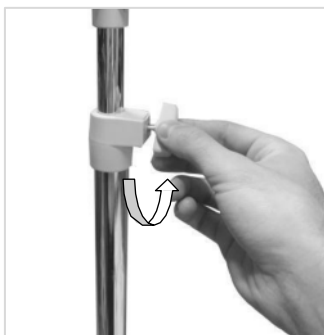
1. Insert the foot of the drip stand in the slot intended for this purpose.
2. Ensure that the drip stand is properly set up by pushing down on it.



Handling the Telescopic Intravenous Drip Stand

Increase/reduce the length of the telescopic drip stand:

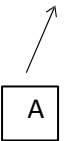
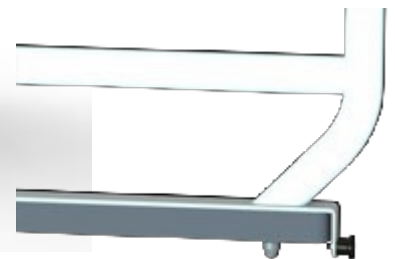
1. Hold the lower part in one hand and unscrew the flywheel clamp in the other hand.
2. Lift the upper part of the stand to the desired height.
3. Tighten up the flywheel clamp.





Grip handle 1/4 side rail

It is possible to install a handle grip side rail 1/4 on each side of the bed. The handles must be installed at the head of the bed. They allow the autonomous patient to leave the bed and to settle it with greater ease and security.



Install / Uninstall a grip handle or a full-closure side rail:

1. Insert the handle or the full-closure side rail on the EASYCLIP rail.
2. Pull the locking trigger (A) under the accessory to lock it.

Handle to ease getting out of the bed with lateral wedging

It is possible to set 2 handles to ease getting out on each side of the bed. They can be fitted with lateral cushions to wedge the patient.

Retaining sleeve on the bed



AC-LX-CALFE :Handle with lateral wedge



AC-LX-PALFE :Handle





Urine bag holder/ Redon support

Urine bag holders, jar holders, Redon 2 vial holder, and urinal support are installed on hospital-type rails (30x10).

ATTENTION :

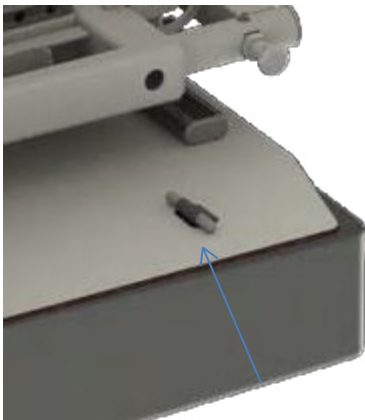
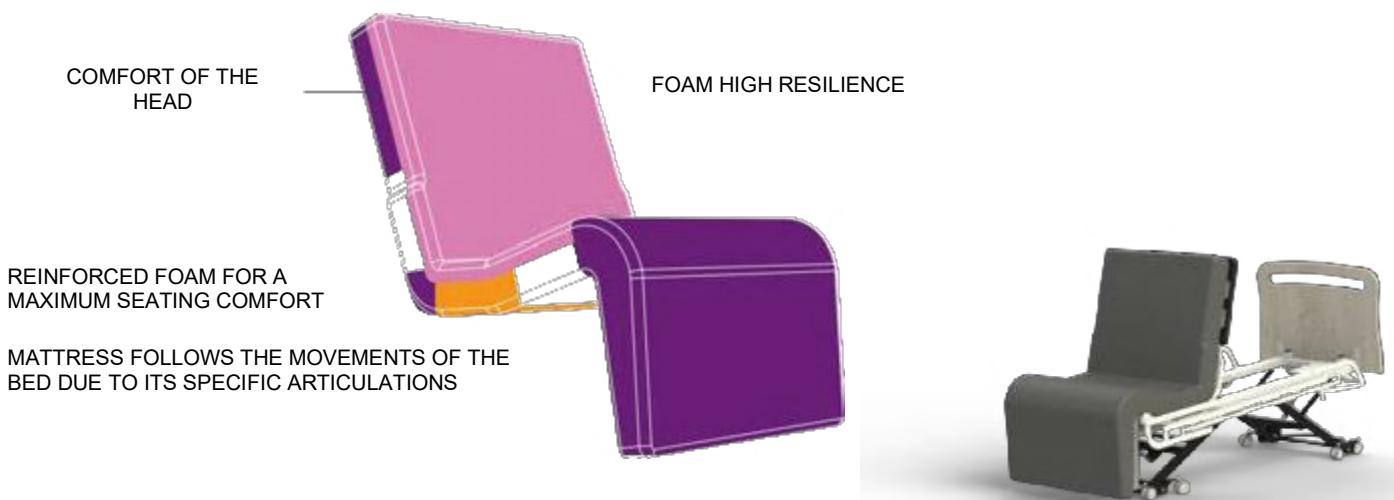
These accessories can only be used on an VISCOUNT bed whose height in the low position is limited to 30 cm from the floor (HV30). Failure to comply with these recommendations may result in bodily injury and property damage.



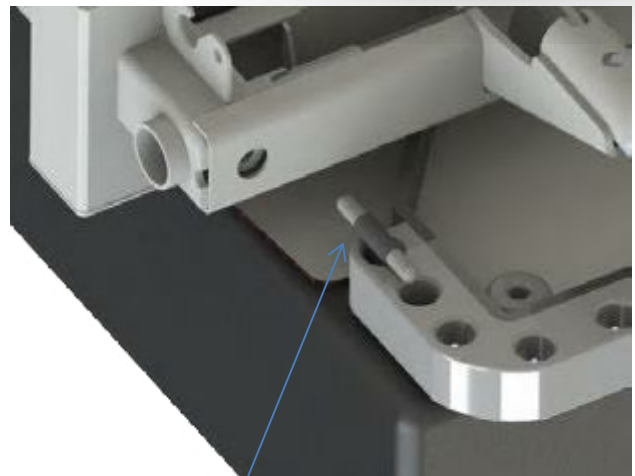


Mattress

For correct use of the Viscount bed, the bed MUST be equipped with a FRONT EXIT specific mattress which is both conceived and specifically designed so as to provide the maximum safety and comfort for patients/residents. Action Assist has developed a Mattress compatible with the use of the FRONT EXIT bed and all the options and accessories taking into account the normative aspects, in particular the risks of Entrapment. We have developed a specific mattress for the Front Exit bed fitted with a fixing system (buttonhole) at the head and foot of the bed.



Fixing system at the foot on the lying surface.



Fixing system at the head in the rail for accessories holder.

ATTENTION :

The use of mattresses other than those recommended by Action Assist may lead both to bodily injury And damage to equipment. There is a risk of trapped limbs, being crushed and falls.



Bio-cleaning

Cleaning and general disinfecting

The Action Assist beds may be bio-cleaned with a damp cloth and a standard disinfectant. They are designed so as to facilitate bio-cleaning to secure optimum hygiene.

Safety Recommendations for the Cleaning Procedure

- Ensure that the bed is immobilised.
- Disable all the electrical functions.
- Unplug the bed and tidy the power cord.
- Check that none of the electrical connections are unplugged (wired remote, control box, electric motors or power supply box).
- Do not use a high pressure cleaning system or wash under running water.
- The water must be of a temperature under 60°.
- Avoid leaving water on electrical system connections.
- Dry all parts of the bed carefully.
- Refer to manufacturer requirements for detergent product quantities.

ATTENTION :

Non-compliance with these recommendations may lead to damage which might not be covered by the warranty.

Never expose the bed to excessive moisture. Non-compliance with these recommendations may lead both to bodily injury and damage to equipment.

Bio-cleaning Procedure

These bio-cleaning recommendations do not replace the protocol implemented within the institution by the C.L.I.N. or those in charge of hygiene

The bio-cleaning method detailed hereafter is adapted to the FRONT EXIT bed and allows you to save time and provide better efficiency in the fight against resistant bacterial infections.

Necessary products and equipment:

- Use several single-use fabric cloths
- Use household gloves.
- Use a detergent and disinfectant solution which meets the rules for dilution recommended within the institution.
- Use products which conform to standard EN 14 885 (kills bactericide, BK, fungicide and



ATTENTION :

It is imperative to follow the use procedures specified by the manufacturer for the cleaning of products. Non-compliance with these procedures may lead both to bodily injury and damage to equipment.

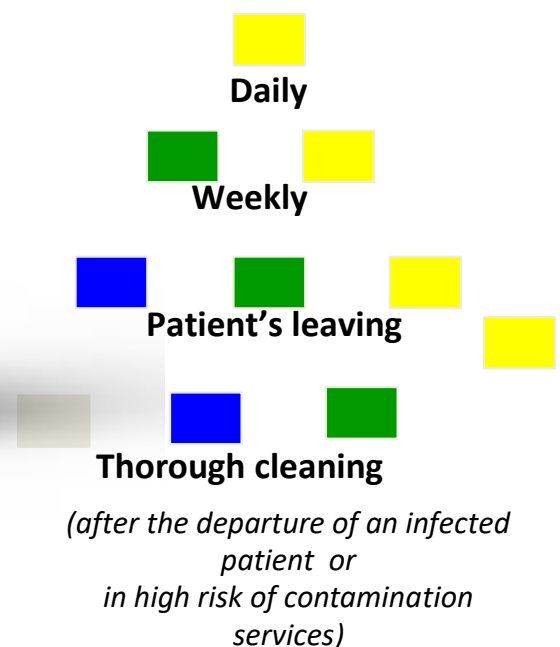
Do not use cleaning products or solvents (toluene, xylene, and acetone) or detergents (heavy-duty grease removers) other than those specifically recommended. Non-compliance with these recommendations may lead both to bodily injury and damage to equipment.

Recommended bio-cleaning method:

- Clean with the cloth from top to bottom going from the cleanest to the dirtiest surface.
- Avoid scratching.
- Dip again the textile without wringing out completely as many times as necessary.
- Rinse, if necessary, following the product manufacturer's recommendations (certain products are indeed less, or more, efficient after rinsing).
- Change the cloth so as to gradually go from less to more contaminated.
- Dry the bed for better maintenance of the various components.
- Change cloths between cleaning each bed.

Bed Components which require Bio-cleaning:

- Daily bio-cleaning: brackets, side rails, hand rails, electric controls.
- Bio-cleaning after the patient has left and before each patient transfer: headboard and foot board, accessories.
- Bio-cleaning after a patient leaves where there is a contamination risk, or one a month: mattress area panels and bed structure





Maintenance

Preventive maintenance

At least one preventive maintenance visit per year is recommended so as to maintain both the capacities of the bed and an optimum performance. More frequent visits may prove necessary according to the use of the bed. We recommend that this is undertaken through Action Assist professionals who are trained in preventive maintenance so as to check the components before they need particular attention, such as:

Electrical parts:

- remote control: connections, operation, cut wires, removal;
- electric cables: removal, wear, cutting, damage;
- electrical supply box including both protection and water tightness;
- electrical function control box;
- electric motors:
 - o variable height,
 - o reverse Trendelenburg position - Trendelenburg position,
 - o back section and rear side, and
 - o upper leg section.
- variable height motor casings;
- electric battery.

Mechanical parts:

- lubricating and maintenance of the various frictional axles;
- braking system;
- necessary articulations to move the bed;
- operation of release and placing the back rest in the flat position;
- motor mounts;
- headboard and foot board mounts;
- general state of the headboard and foot board;
- assembly (screws, pins, switches etc.);
- main welded parts;
- accessory supports and fixtures: brackets and intravenous drips

Side rails:

- Positioning the side rails according to the instructions for use;
- Compliance with standards and compliance with ANSM (formerly AFSSAPS) recommendations (French Agency for the Safety of Health Products);
- Locking system;
- Fixing the bars, checking the pins;
- If the bed is not equipped with it, set up a marking sticker for a good fixing and positioning of the side rails clamps.

General hygiene:

- Maintenance of the structure - possible oxidation;
- Bio cleaning - Residue.



We would remind you that preventive maintenance is intended to reduce the probability of failure or deterioration in the operation of a medical mechanism. We would also remind you that only the owner of medical device is in charge of defining, implementing and respecting the maintenance policy, for all the medical mechanisms which he uses

You will find via the following link the recommendations of the ANSM (Agence Nationale de Sécurité du Médicament et des produits de santé) formerly AFSSAPS (Agence Française de Sécurité Sanitaire des Produits de Santé) linked to preventive maintenance of medical devices :

<http://ansm.sante.fr/Activites/Maintenance-et-contrôle-qualité-des-DM/Obligation-de-maintenance>

Safety Recommendations

Insofar as your own technicians are likely to carry out maintenance operations and maintenance on the bed, you should carry out the following operations prior to maintenance:

1. Disable all electrical functions;
2. Unplug the bed from the power source;
3. Immobilise the bed and check that this has been successfully completed

ATTENTION :

Never open, heat up or drill a hole in an electric cylinder motor. Non-compliance with these recommendations may lead both to bodily injury and damage to equipment.

For all problems concerning electric cylinder motors contact the Action Assist after-sales service.

ATTENTION :

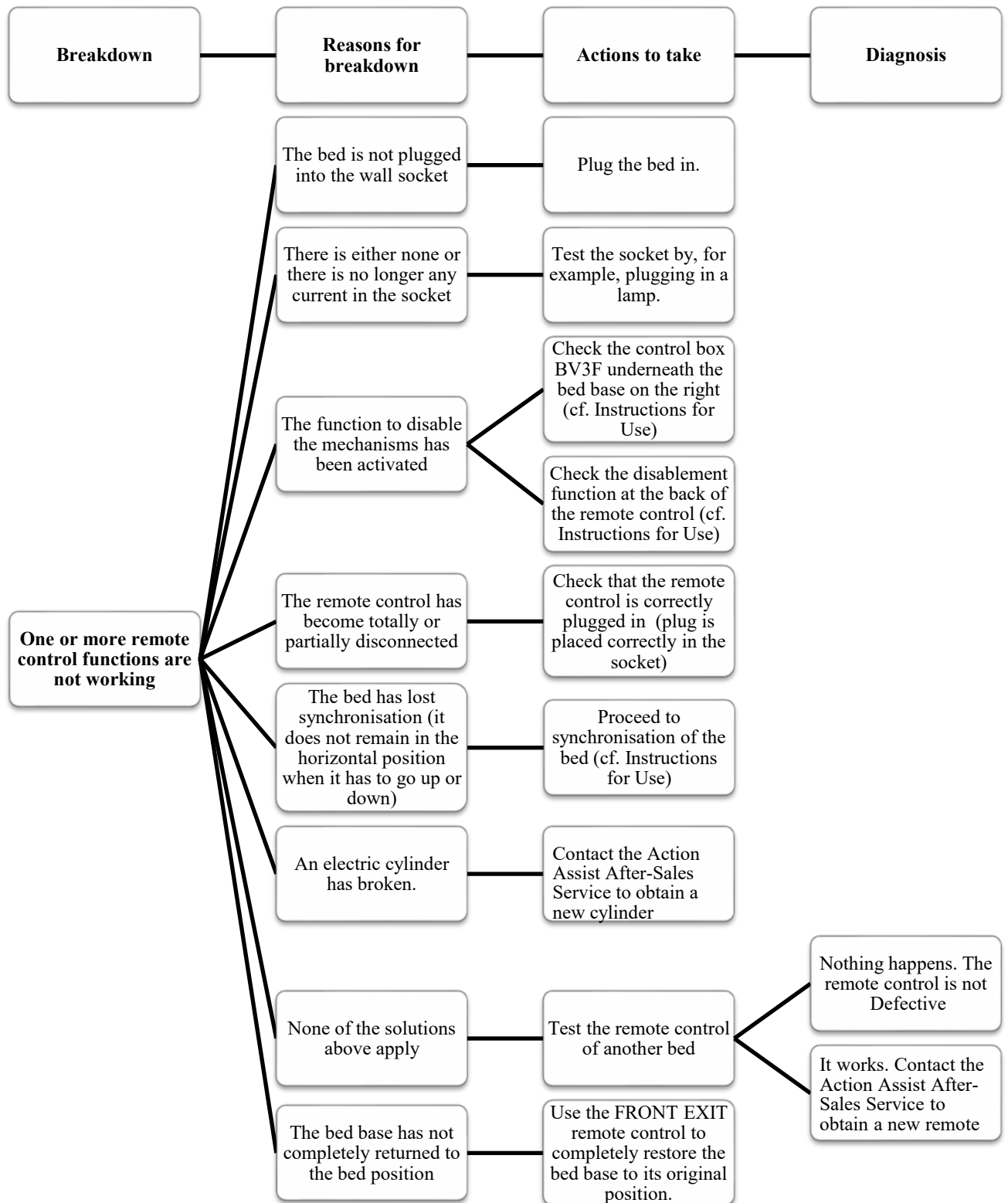
Never open, heat up, drill a hole in or immerse a used battery. Staff qualified to do so should change used batteries. Non-compliance with these recommendations may lead both to bodily injury and damage to equipment.



Discovering a Breakdown / Spare parts

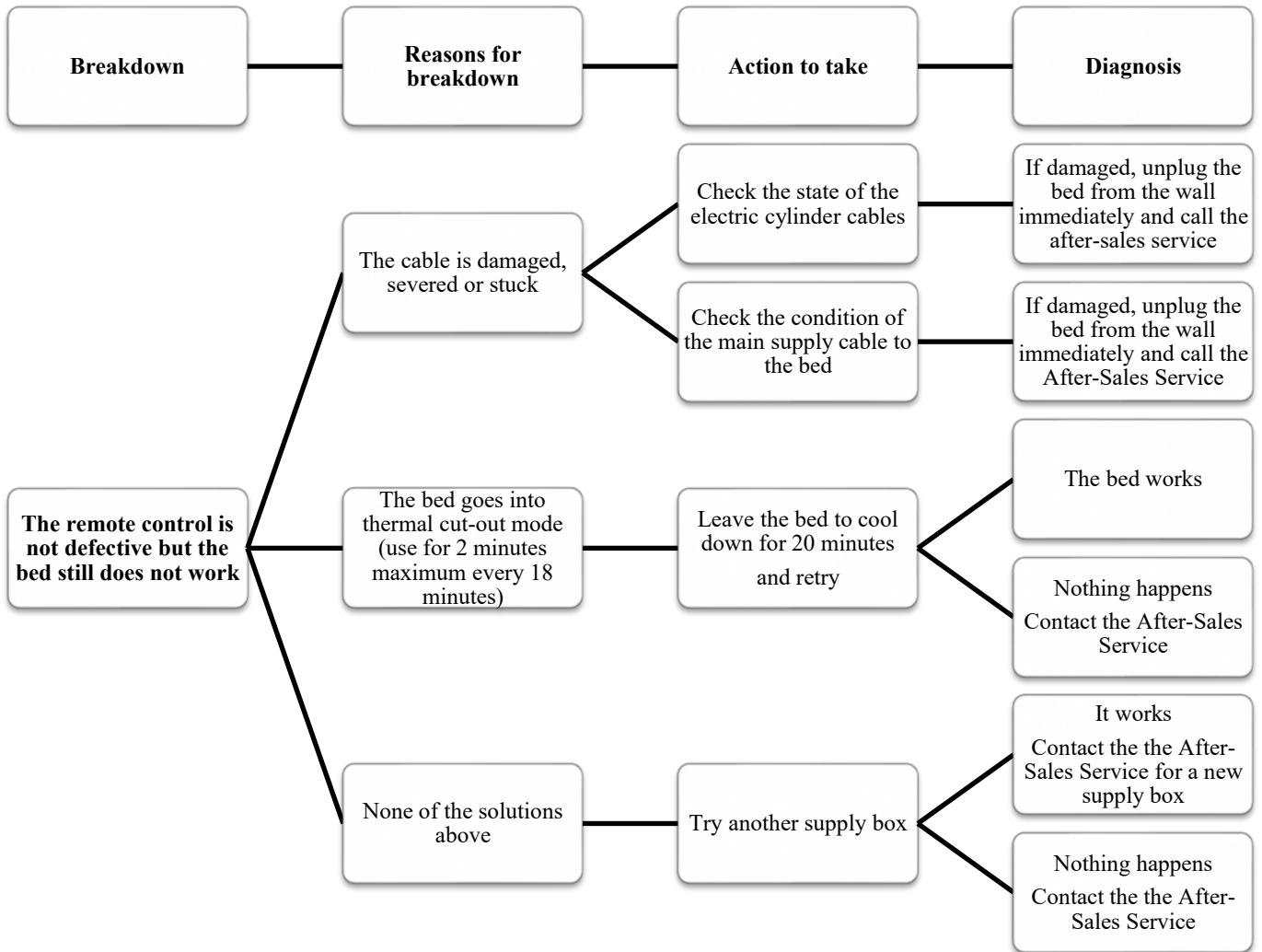
Discovering a Breakdown

Case 1 One or more functions of the remote control no longer works or functions badly





Case 2 The remote control is not defective but the bed still does not work





Case 3 Mechanical breakdowns and unusual noises

After-Sales Service Assistance

The After-Sales service team is entirely at your disposal to supply spare parts and provide all information to determine the cause of a breakdown.





The details mentioned on the labels on the bed as well as all the electric mechanisms are necessary for prompt processing of price, spare parts and warranty requests.

After-Sales Service details:

Tel: 01977 689400 E-mail: info@actionassist.co.uk



Transport / Storage

Recommendations for Transport and Storage

The following conditions should be respected so as to ensure safe and efficient transport and storage:

- the bed should be in the low position;
- the electrical functions should be disabled;
- the brake should be on, the bed covered with a canvas sheet which is strapped down
- temperature between -10°C and +50°C
- relative humidity 20 % - 80 % at 30 °C; and
- pressure 500hPa – 1060Pa (0 to 2000 m)

ATTENTION :

During transport or storage, the bed should not be piled up on or under other beds. Non-compliance with these recommendations may lead both to bodily injury and damage to equipment.

If the bed being stored has a battery, the latter should be recharged every three months.

Recommendations for Use when not being Transported or Stored

When in use the bed should be in an environment with:

- Temperature between 0°C and +40°C
- Relative humidity 20 % - 80 % at 30 °C; and
- Pressure: 700Pa – 1060Pa (0 to 2000 m)



Guidelines to Ensure General Safety

Incorrect Uses

- Uses other than as a care bed and all uses unrelated to the normal functions of a bed.
- Uses which do not comply with the instructions for use described in this instruction manual.
- Using the electrical functions of the bed, without ensuring that no objects or individuals are under the mattress and under the bed's moving parts.
- When the « Front Exit » function is using, make sure that the foot panel has been removed.
- Leaving the electric function remote controls within reach of a resident who is not capable of using the bed both self-sufficiently and safely.
- Using the bed for a child under three years.
- Use of the bed for a child aged between 3 and 12 years or of a height less than 144 cm without using the Tall Children side rails.
- Use of functions, accessories or moving the bed by a child or by a person who is not authorised to do so.
- Using the back section and the lower leg section whilst an individual is seated on top of the bed.
- Using the bed frame to place objects on or as support for an individual.
- Ensure that the bed is as far away as possible so as not to cause a collision.
- Use of the bed for a load greater than 250 kg.
- Moving the bed on a soft and undeveloped surface.
- Use of the bed with or without a patient on a surface with an incline of greater than 10°.
- Plugging into mains electric which does not comply with safety standards.
- Using a power unit to plug into mains electric.
- Using an extension cord to plug into mains electric is strongly advised against.
- Plugging electrical appliances into the bed
- Use of electrical components with wires which are bare, crushed, jammed, corroded, damaged and semi-severed.
- Using electrical components which have been repaired without permission from HACARE (for example utilisation of insulating tape and any DIY tool).
- Use of accessories or equipment other than those authorised by HACARE.
- Moving the bed by pulling on the power cord.
- Moving the bed with the remote control wires dragging along the ground, wedged or crushed.
- Moving the bed when outside or so as to transport the patient in a vehicle.
- Moving the bed so as to transport a patient without the safety side rails in the upper position.
- Moving the bed so as to transport the patient in the "comfort" position or with the back rest position too high.
- Moving the bed with the assistance of the lateral safety side rails.
- Washing with excessive amounts of water.
- Using the bed in poor hygiene conditions.
- Use in climatic constraints other than those recommended by HACARE and within explosive environments.
- It is highly recommended not to leave a patient unsupervised in the Trendelenburg position.



Disposal End of Equipment's Useful Life Disposal / Recycling

Cleaning and disinfecting the bed and its accessories before throwing them away is recommended.

Throwing away equipment which is at the end of its useful life must be adapted for the purpose of its recycling.

Ensure that you respect the applicable environmental requirements for each bed component.



Procedure for Throwing Away the Bed Parts:

Components, motors and electric batteries:

Deposit in one of the specific collection points of the WEEE sector (Waste Electrical and Electronic Equipment).

Do not throw away batteries containing substances and metals which are both hazardous to the environment and public health.



The steel structure and wooden headboards and foot boards:

Deposit these in a recycling and re-use centre (waste collection centre) or use a business specialised in the collecting, sorting and recycling of waste.





Specifications and Warranties

Specifications

Action Assist operates a policy of continuous product improvement. Thus the features of the bed may be changed without prior notice.

Technical features

Reference	L8406 -FE / L8456-FE
Category IEC 60601-2-52	Application environment 2 and 3
Safe operating weight	260 kg
Maximum weight	195 à 225 kg
Operating factor	10 %max. 2min ON / 18min OFF
Maximum weight without a mattress or accessories	70kg
Protection against electric shocks	Class II
Voltage	100-240V~
Frequency	50/60Hz
Maximum power absorbed by the power supply	128VA
Fuse type for power supply	1 A Timed

Dimensions/Adjustable Angles of moving parts

Width without side rails	900mm
Width with side rails	1010mm
Length with Wood Panels	2150mm
Length with Wood Panels + Extension	2450mm
Minimum height of the lying surface	230mm
Maximum height of the lying surface	830mm
Minimum height of the lying surface with MOVE	230mm
Maximum height of the lying surface with MOVE	830mm
Minimum height of the lying surface with EASY MOVE	230mm
Maximum height of the lying surface with EASY MOVE	830mm
Minimum height of the lying surface with HARMONY	320mm
Maximum height of the lying surface with HARMONY	840mm

Degree of incline in relation to lying surface	Back section	Upper leg section	Tibia section	Reverse-Trendelenburg position / Trendelenburg position
	Between 0° and 70°	Between 0° and 20°	Between -12°and +20°	Between -17°and+15°



Extent of Warranty and After-Sales Service

The warranty takes effect from the date of product delivery and the invoicing for the product. The warranty covers all types of breakdown and faults resulting from manufacture or design problems Breakdowns and faults stemming from inappropriate use or outside influences are not taken into account.

Warranty period

The product warranty period is specified on the product's invoice. For parts changed under warranty, the end date of the warranty is the end date of the product warranty.

Warranty period of the elementary parts

Used and maintained in normal conditions, the bed and the elements have a warranty as indicated hereafter:

Elements	Period
Mechanically welded structure	10 years
Power supply	5 years
Remote and Satellite EASY TOUCH	2 years
Electric cylinder motor	5 years
Accessories	1 year

The product warranty is void if:

- Any unauthorized and non-conforming interventions have been made on the product (electrical elements, cylinders, various mechanisms, structure).
- Cleaning and maintenance have been done against the instructions in this manual.
- No preventive maintenance has been applied.
- The electrical cables of the cylinders or the control unit are cut or torn.

Please find at the back of this manual the details of the Action Assist After-Sales Service.



Action Assist Ltd
Unit 6 Moor Lane Trading Estate
Sherburn in Elmet, Leeds, LS25 6ES

Tel: 01977 689400
info@actionassist.co.uk

www.actionassist.co.uk

Reference: PMI-35012
Date of creation: 15/11/2018